



# VT 10 L *camera system* brochure



## VT 10 L inspection camera

Extremely compact, watertight color camera with integrated LED lighting and an outer diameter of 10 mm

### Applications

- ▶ Pipe, sewer inspection
- ▶ Underwater inspection
- ▶ Remote operated manipulators
- ▶ Retrieval of foreign objects
- ▶ Hard to reach areas
- ▶ Industry
- ▶ Nuclear facilities

### Features

- ▶ Small and robust design in stainless steel
- ▶ Outer diameter of 10 mm
- ▶ PAL/NTSC
- ▶ Integrated LED lighting
- ▶ Water tight up to 10 m

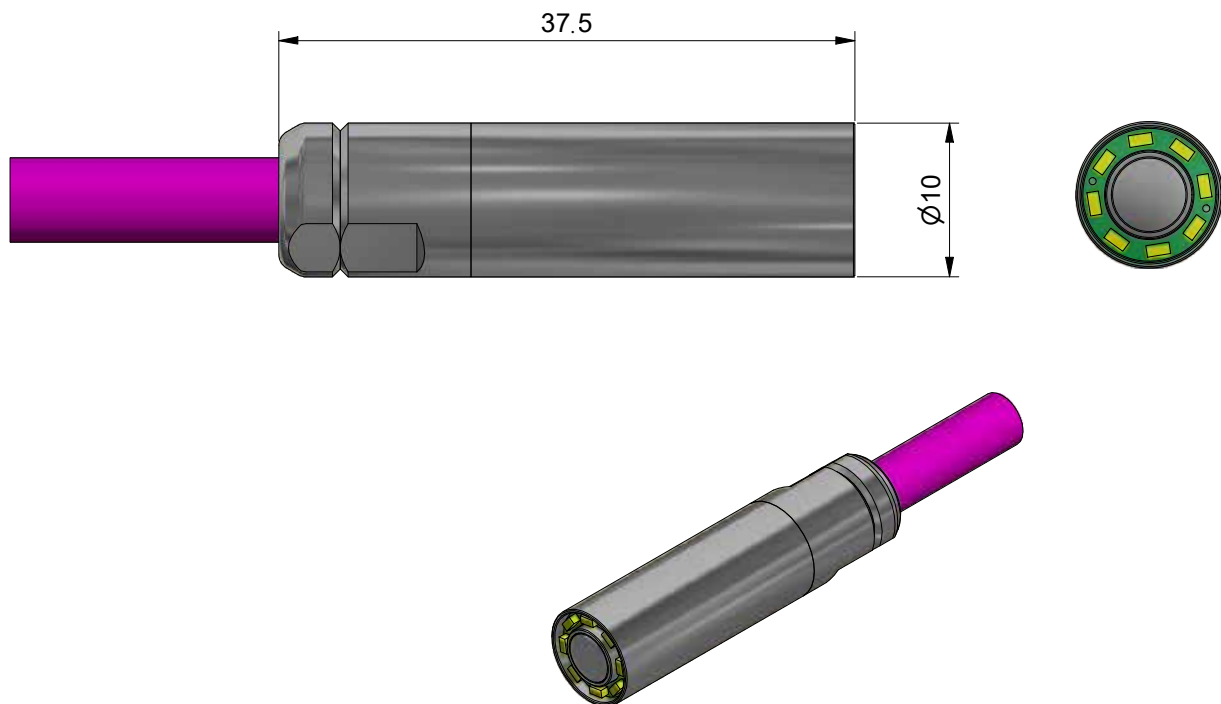


## Technical specifications - VT 10 L camera

This document is for general information only, please consult the system manual for detailed specifications

Housing	stainless steel
Image sensor / number of effective pixels	1/4" Color CCIQ
Horizontal resolution	400 TVL
Signal system	PAL/NTSC
Minimum illumination	0.1 lx
Optical zoom	n/a
Digital zoom	n/a
Focus	fixed
FOV	---
Minimum object distance	---
Video output	---
Range - PAN	n/a
Range - TILT	n/a
Lighting	8x LED
Luminous flux	~ 38.4 lm
Dimension (ø x L)	10x37.5 mm
Weight	0.057 kg
Operating temperature	---
Water tight / water depth	1 bar / 10 m
Radiation tolerant	---
Total dose	---
Optionals	---
Features	---

\*unit in mm



**DEKRA Visatec GmbH**  
Gewerbepark 7, 87477 Sulzberg/See  
Germany  
Tel. + 49.8376.9215 0  
info.dvg@dekra.com

[www.dekra-visatec.com](http://www.dekra-visatec.com)

