

# VT GTL 50 *gripper system* brochure



## VT GTL 50 gripper system

Compact, powerful and water pressure tight gripping tool for harsh environments and heavy load applications

### Applications

- ▶ Ideal for recovering heavy foreign bodies and positioning of parts
- ▶ Different, exchangeable gripper tool attachments makes it flexible for individual applications

### Features

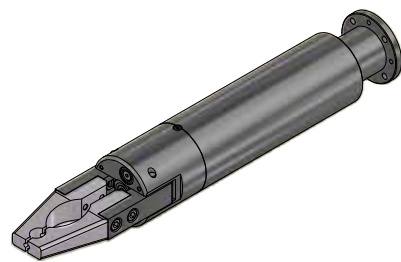
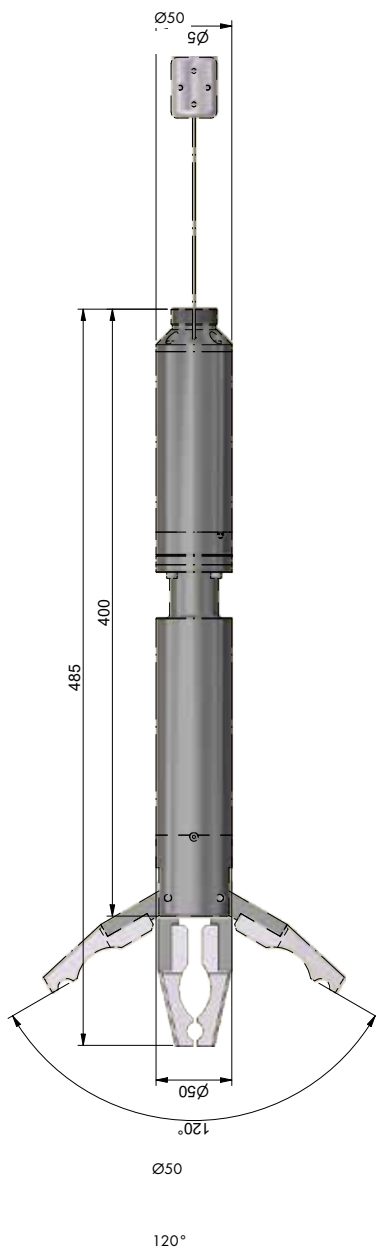
- ▶ Watertight up to 50 m
- ▶ 360° rotation
- ▶ High gripping force
- ▶ Various tool attachments for maximum flexibility
- ▶ Carbon pole endlessly extendable
- ▶ Optional attachable lighting and camera for live monitoring

## Technical specifications - VT GTL 50 gripper system

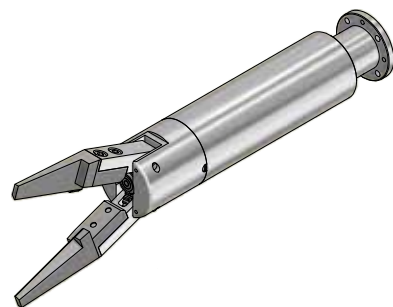
This document is for general information only, please consult the system manual for detailed specifications

Housing	stainless steel and anodized aluminum
Dimension (ø x L)	50x485 mm
Weight	3.1 kg
Watertight	5 bar / 50 m
Roation angle	infinite
Aperture angle	120°
Gripping force	~ 200 N
Power supply	---
Operating temperature water	---
Operating temperature air	---
Radiation tolerant	---
Total dose	---
Optionals	camera, different jaws, carbon pole
Features	integrated slipping clutch for rotation

\* unit in mm



Cutting gripper



# Setup

## Possible combinations



**1** Gripper



VT GTL 50

**2** Cabling



VT GTL RH SKT  
+ Adapter plug

**3** Control unit



Control unit integrated in  
VT GTL 50 SKT CU

**4** Remote control



Remote control  
VT GTL RH FB

## Accessories



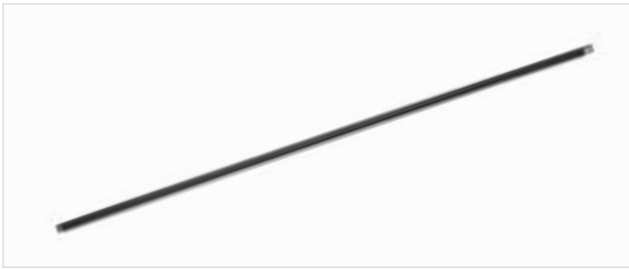
### Holder for camera VT 25 FL

Optional attachable lighting and camera for live monitoring



### VT GH Vario tool holder

Variable railing bracket with stainless steel adapter for connecting the camera to 29 or 42 mm diameter carbon poles



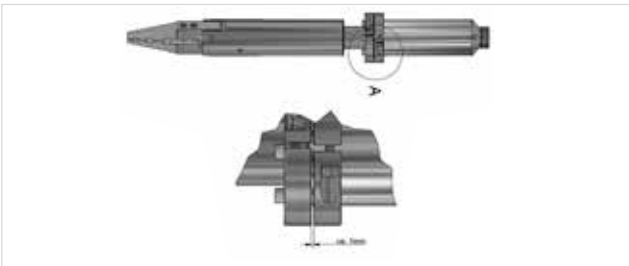
### VT 29 carbon poles - 29 or 42 mm diameter

Connectable carbon poles for deployment of cameras and tools - standard lengths are 1 and 2 m



### Manhole holder

Versatile positioner for 29 or 42 mm carbon poles



### Rotation stop

Mechanical rotation stop to limit the rotation of the gripper

## DEKRA Visatec GmbH

Gewerbepark 7, 87477 Sulzberg/See  
Germany  
Tel. + 49.8376.9215 0  
info.dvg@dekra.com

[www.dekra-visatec.com](http://www.dekra-visatec.com)

